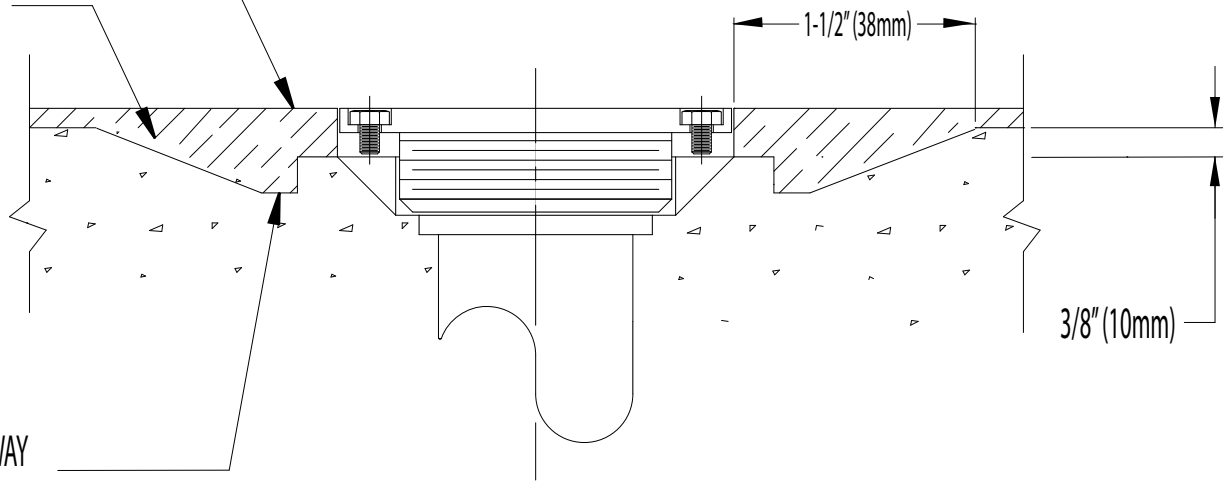


CEMENTITIOUS
URETHANE FLOORING

KEYED EDGE



TYPICAL KEYWAY
1/4" x 1/4"
(6mm x 6mm)



DUR-A-FLEX
INNOVATION FROM THE FLOOR UP

www.dur-a-flex.com

860-528-9838

TITLE

POLY-CRETE HF

DRAIN DETAIL

DATE

10 / 11

SCALE

AS NOTED

DWG NO.

PCHF-9

PROJECT