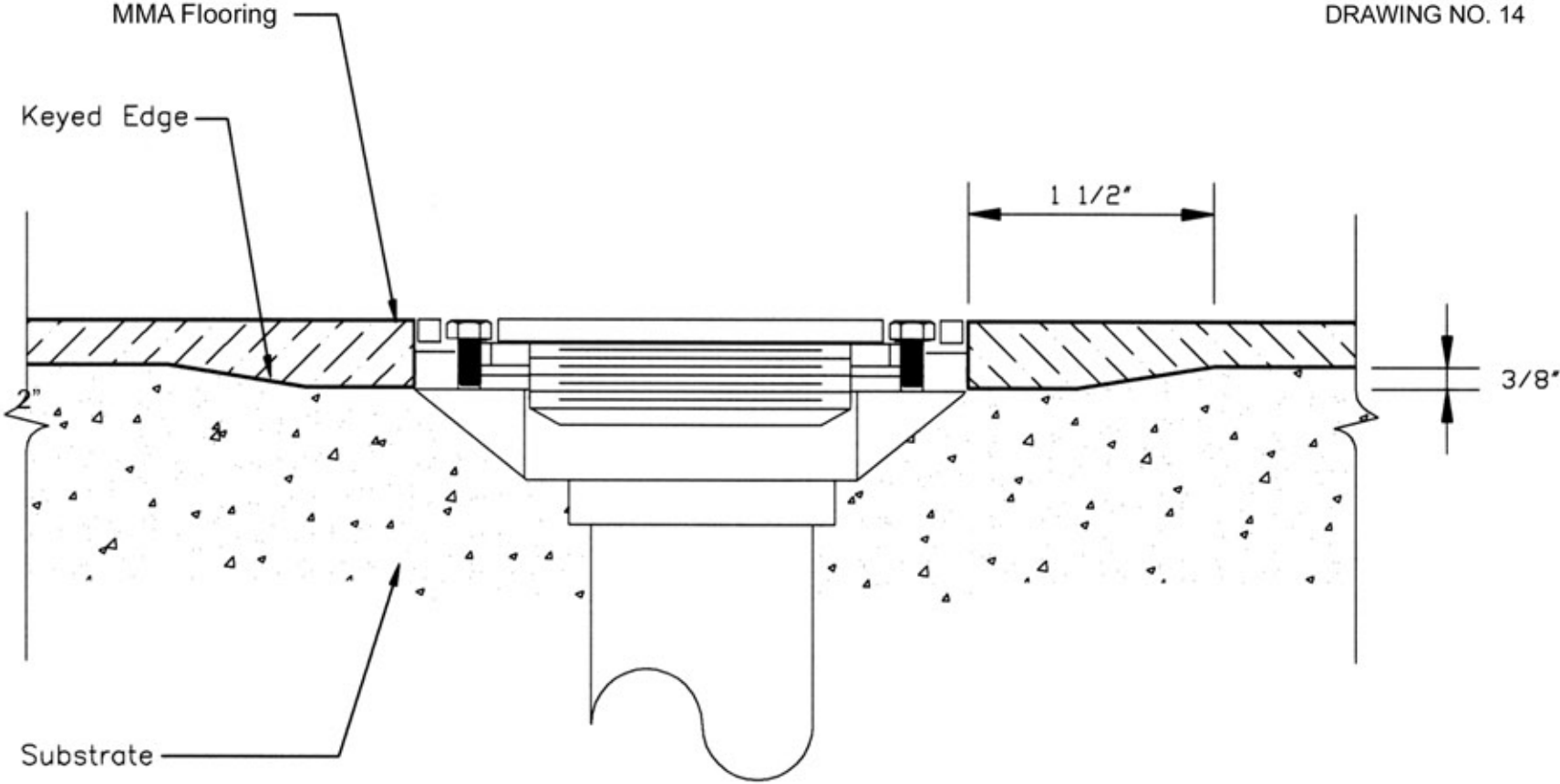


Dur-A-Flex, Inc.  
CRYL-A-FLEX  
DRAIN

DRAWING NO. 14



REV. DATE: 9/06  
SCALE: N.T.S.

(C)1999 DUR-A-FLEX, INC. ALL RIGHTS RESERVED. THE RIGHT TO UTILIZE DUR-A-FLEX DETAILS FOR COMMERCIAL PURPOSES IS GRANTED EXCLUSIVELY TO CONTRACTORS, ARCHITECTS, QUANTITY SURVEYORS, ENGINEERS, AND SPECIFICATIONS WRITERS. DUR-A-FLEX® AND CRYL-A-FLEX® ARE REGISTERED TRADEMARKS OF DUR-A-FLEX, INC. US & FOREIGN PATENT & TRADEMARK OFFICES. MARCA REGISTRADA. ALL OTHER TRADEMARKS