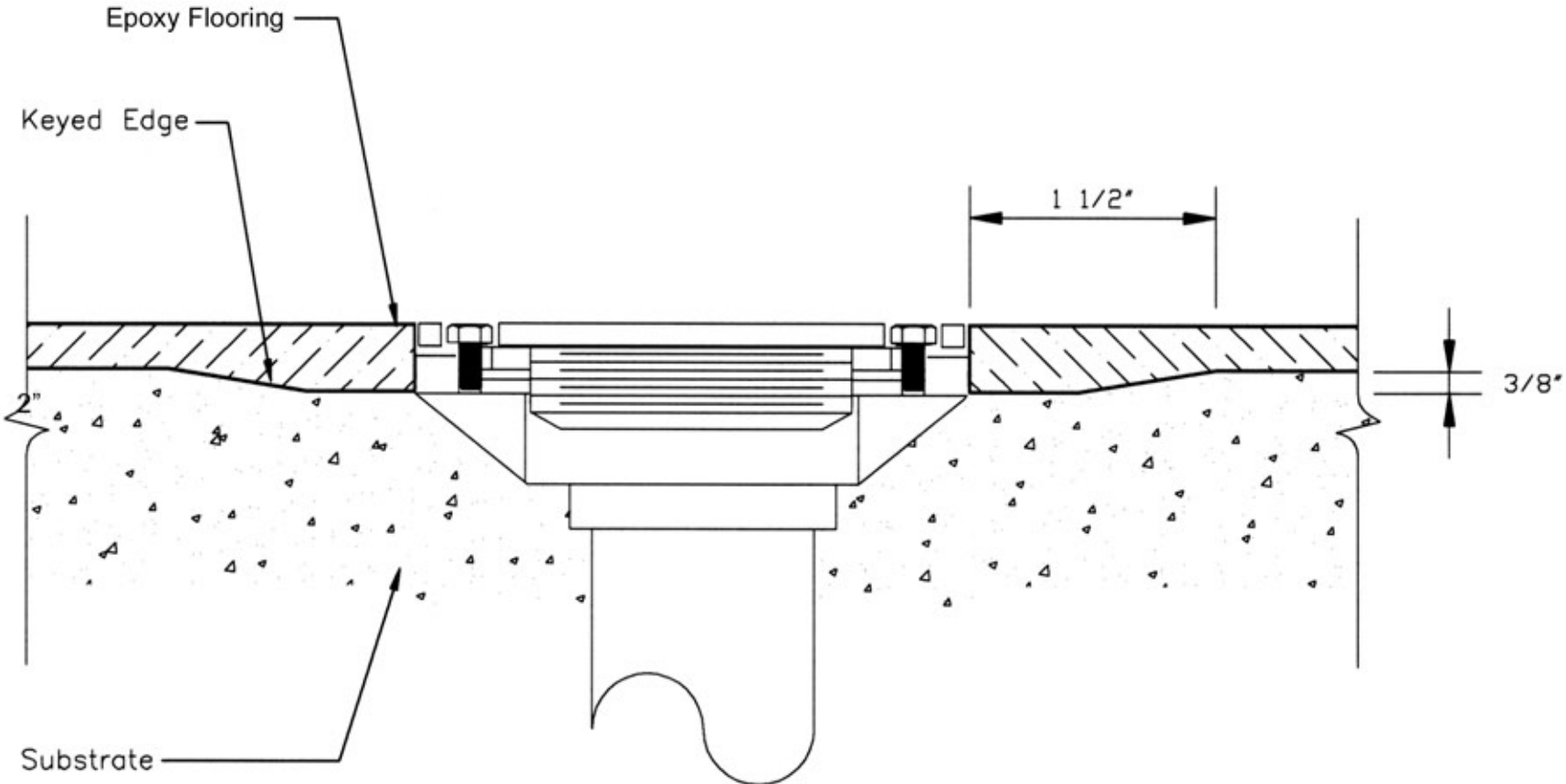


Dur-A-Flex, Inc.
DRAIN
DRAWING NO. 4



REV. DATE: 9/06
SCALE: N.T.S.

©1999 DUR-A-FLEX, INC. ALL RIGHTS RESERVED. THE RIGHT TO UTILIZE DUR-A-FLEX DETAILS FOR COMMERCIAL PURPOSES IS GRANTED EXCLUSIVELY TO CONTRACTORS, ARCHITECTS, QUANTITY SURVEYORS, ENGINEERS, AND SPECIFICATION WRITERS. DUR-A-FLEX® AND DRY-A-FLEX® ARE REGISTERED TRADEMARKS OF DUR-A-FLEX, INC. US & FOREIGN PATENT & TRADEMARK OFFICES. MARCA REGISTRADA. ALL OTHER TRADEMARKS