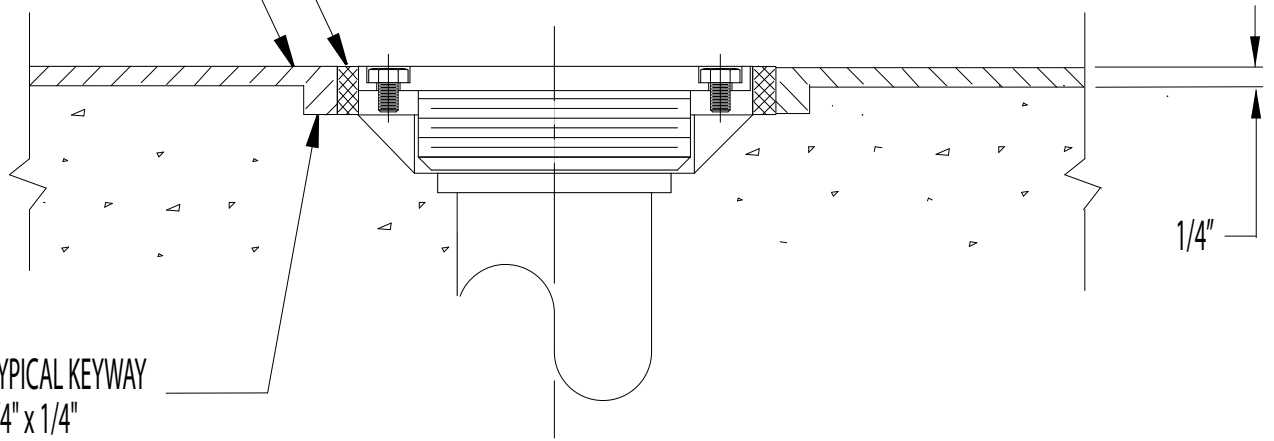


JOINT SEALANT  
CEMENTITIOUS  
URETHANE FLOORING

TYPICAL KEYWAY  
1/4" x 1/4"



**DUR-A-FLEX**  
INNOVATION FROM THE FLOOR UP

[www.dur-a-flex.com](http://www.dur-a-flex.com)

860-528-9838

**TITLE**  
POLY-CRETE MD, MDB, MDC, MDQ  
DRAIN WITH SEALANT DETAIL OVER WOOD FLOOR

**DATE**  
1/15

**SCALE**  
NTS

**DWG NO.**  
PCMD-10A

**PROJECT**