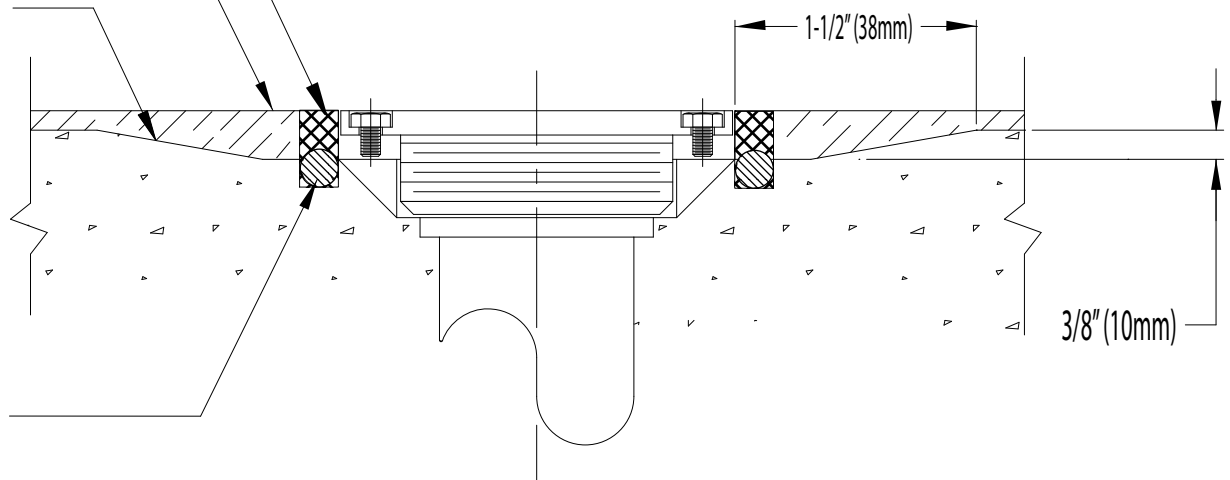


FLEXIBLE URETHANE
JOINT SEALANT (1/2" DEEP)

CEMENTITIOUS URETHANE
FLOORING

KEYED EDGE

1/4" DIA FOAM
BACKER ROD



DUR-A-FLEX
INNOVATION FROM THE FLOOR UP

www.dur-a-flex.com

860-528-9838

TITLE

POLY-CRETE MBD
DRAIN DETAIL with SEALANT AND BCKER ROD

DATE

12/ 12

SCALE

AS NOTED

DWG NO.

PCMD-16C

PROJECT