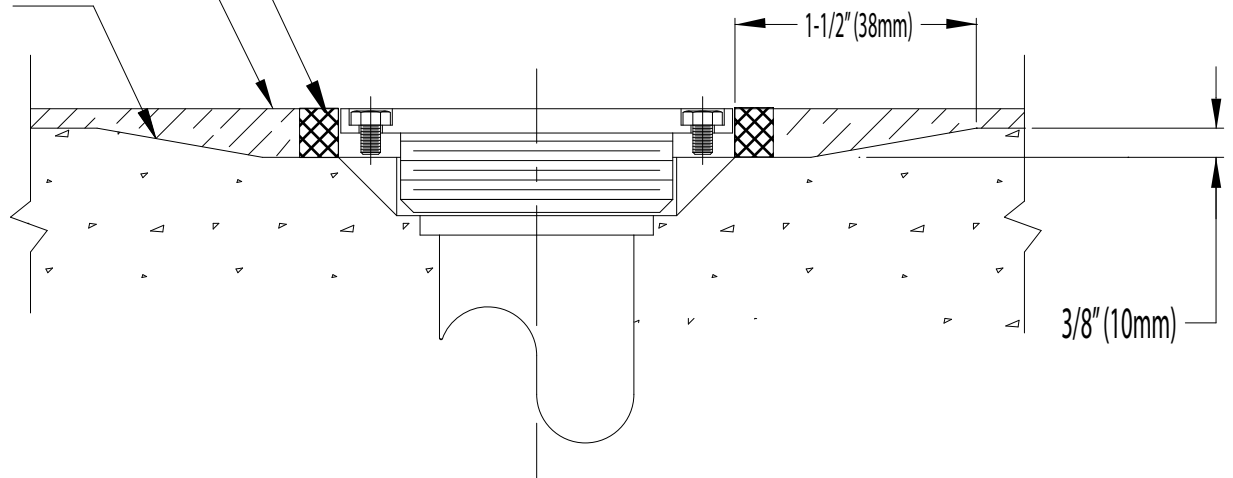


JOINT SEALANT

CEMENTITIOUS URETHANE
FLOORING

KEYED EDGE



DUR-A-FLEX
INNOVATION FROM THE FLOOR UP

www.dur-a-flex.com

860-528-9838

TITLE

POLY-CRETE SLB
DRAIN DETAIL with SEALANT

DATE

13/ 12

SCALE

AS NOTED

DWG NO.

PCSL-13A

PROJECT