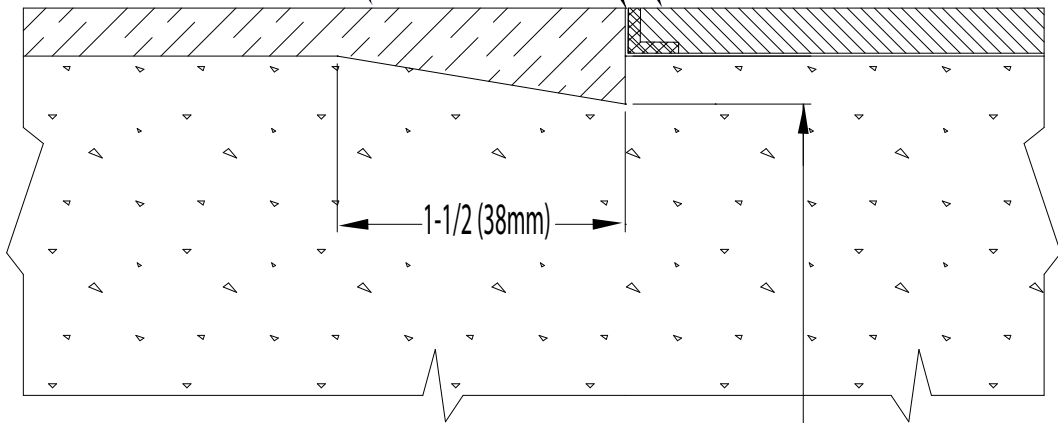


OTHER FLOORING
ie: VCT, Ceramic Tile, Carpet

DIVIDER STRIP
(METAL OR PLASTIC)

CEMENTITIOUS URETHANE FLOORING



1/4" (6mm) SAW CUT



DUR-A-FLEX
INNOVATION FROM THE FLOOR UP

www.dur-a-flex.com

860-528-9838

TITLE

POLY-CRETE SLB

TRANSITION DETAIL

DATE

10 / 11

SCALE

AS NOTED

DWG NO.

PCSL - 2

PROJECT