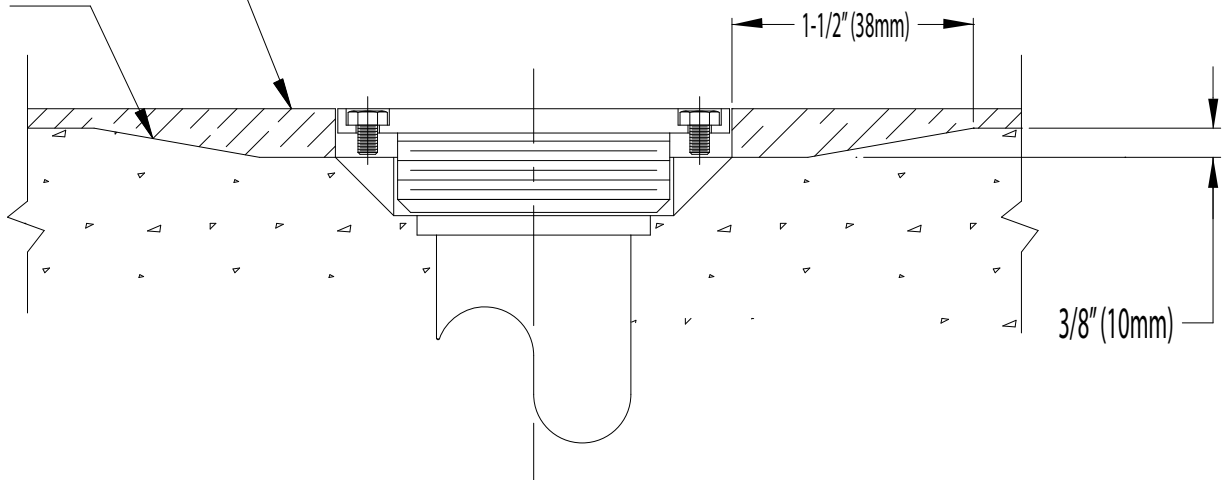


CEMENTITIOUS URETHANE
FLOORING

KEYED EDGE



DUR-A-FLEX
INNOVATION FROM THE FLOOR UP

www.dur-a-flex.com

860-528-9838

TITLE

POLY-CRETE SLB

DRAIN DETAIL

DATE

10 / 11

SCALE

AS NOTED

DWG NO.

PCSL-13

PROJECT