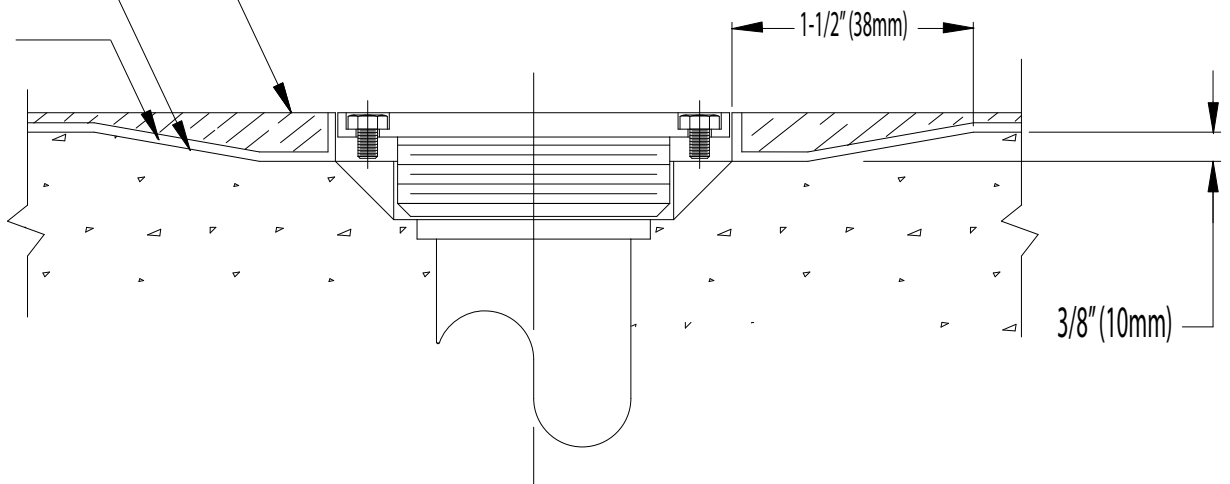


EPOXY FLOORING  
 KEYED EDGE  
 ELAST-O-COAT  
 (20 MIL)



**DUR-A-FLEX**  
 INNOVATION FROM THE FLOOR UP

[www.dur-a-flex.com](http://www.dur-a-flex.com)

860-528-9838

TITLE  
**EPOXY FLOORING**  
 DRAIN DETAIL

DATE  
 12 / 11

SCALE  
 AS NOTED

DWG NO.  
 EF-16

PROJECT