

FLASHING BY PLUMBER

DUR-A-QUARTZ Q-28 FLOORING

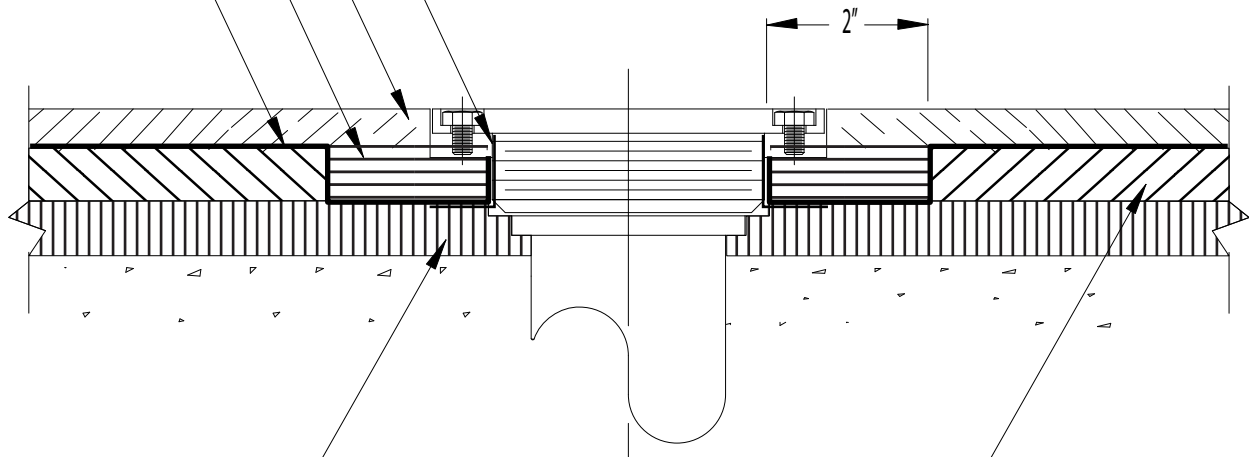
EPOXY MORTAR

ELAST-O-COAT 30 MIL DFT

FIRST LAYER 3/4" CDX PLYWOOD

SECOND LAYER 3/4" CDX PLYWOOD
PLYWOOD SHOULD BE GLUED
AND SCREWED 6" ON CENTER

2"



DUR-A-FLEX
INNOVATION FROM THE FLOOR UP

www.dur-a-flex.com

860-528-9838

TITLE

DUR-A-QUARTZ Q-28 FLOORING

DRAIN DETAIL OVER PLYWOOD

DATE

3 / 12

SCALE

AS NOTED

DWG NO.

EF-19

PROJECT