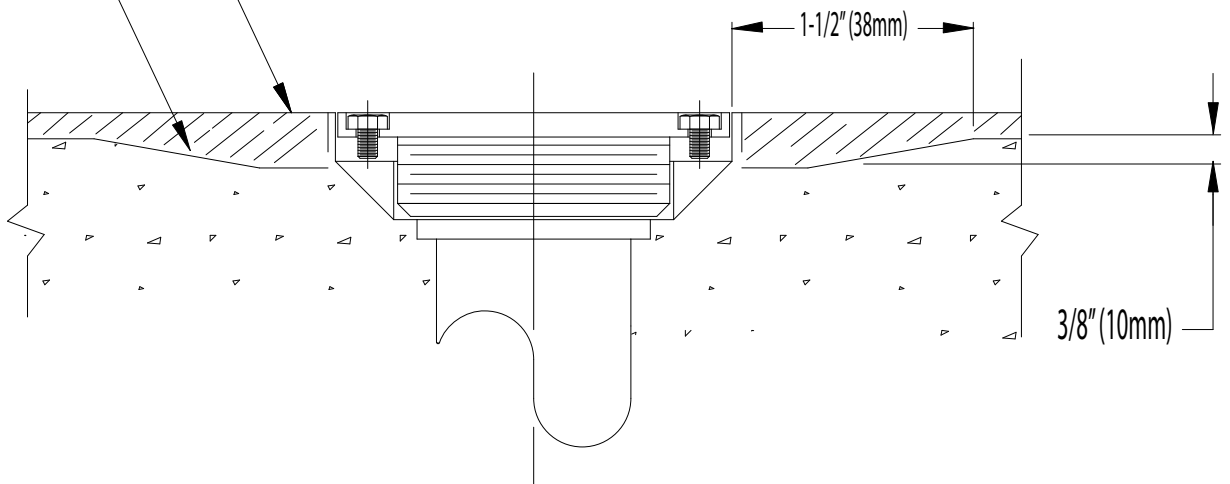


CEMENTITIOUS  
URETHANE FLOORING  
KEYED EDGE



**DUR-A-FLEX**  
INNOVATION FROM THE FLOOR UP

[www.dur-a-flex.com](http://www.dur-a-flex.com)

860-528-9838

TITLE POLY-CRETE MD, MDB, MDC, MDQ

DRAIN DETAIL

DATE

11 / 17

SCALE

AS NOTED

DWG NO.

PCMD-10

PROJECT