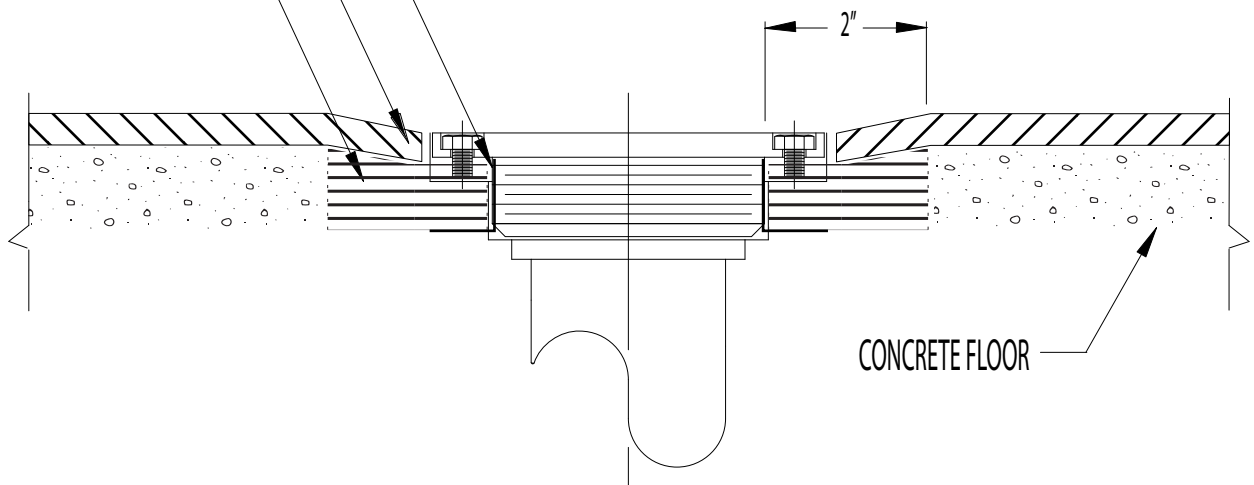


FLASHING BY PLUMBER

DUR-A-GARD SL (100 MIL)

EPOXY MORTAR



CONCRETE FLOOR



**DUR-A-FLEX**  
INNOVATION FROM THE FLOOR UP

[www.dur-a-flex.com](http://www.dur-a-flex.com)

860-528-9838

TITLE  
**DUR-A-GARD SL FLOORING**  
DRAIN DETAIL OVER CONCRETE

DATE  
10 / 14

SCALE  
NTS

DWG NO.  
EF-19A

PROJECT