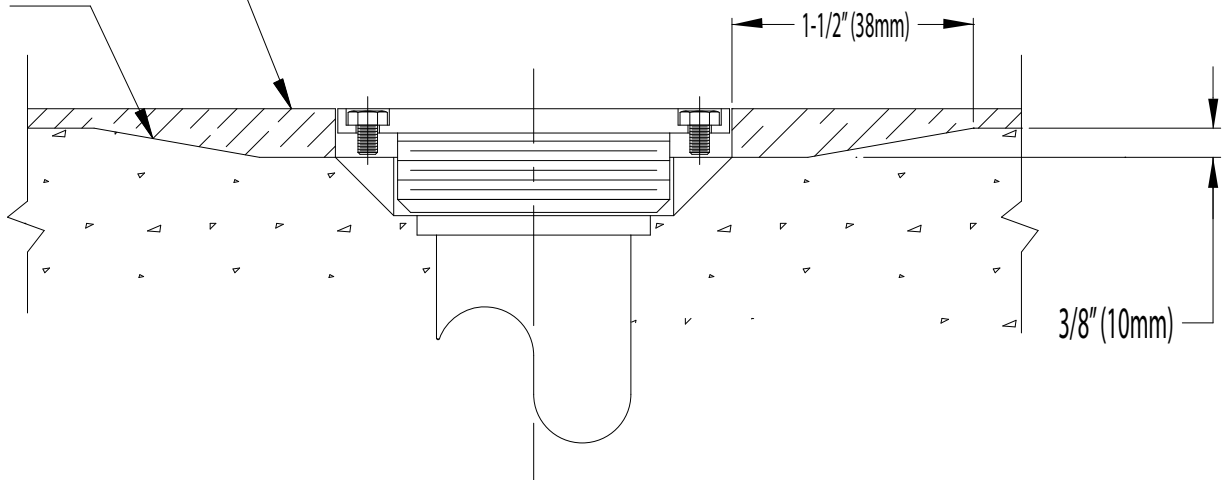


MMA FLOORING

KEYED EDGE



**DUR-A-FLEX**  
INNOVATION FROM THE FLOOR UP

[www.dur-a-flex.com](http://www.dur-a-flex.com)

860-528-9838

TITLE

MMA FLOORING

DRAIN DETAIL

DATE

10 / 11

SCALE

AS NOTED

DWG NO.

MMA-14

PROJECT